

M6x8 with cap

[13/16\"/>

M6x8 with cap

M5x6f

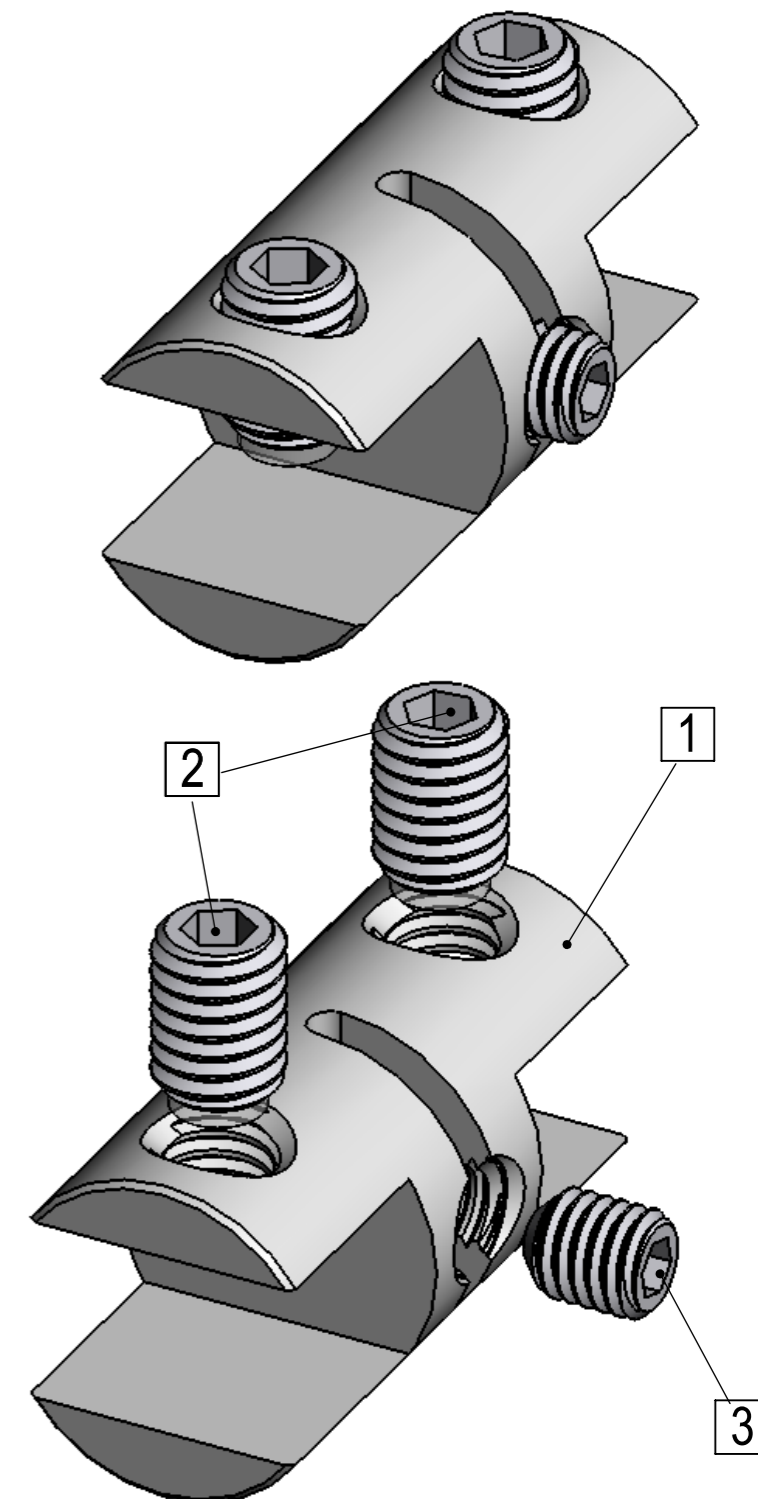
[5/8\"/>

[3/16\"/>

[3/16\"/>

[7/16\"/>

[3/8\"/>



ITEM NO.	PART NUMBER	DESCRIPTION	QTY.
1	CB1612A		1
2	M6x8 with cap		2
3	M5x6 f		1

Title : CB1612			Scale : 3:1	Customer:	
	Material:		Finish	Qty :	Rep :
	N°programme laser	N°prog. Mécanum.	N° Plan : CB1612		