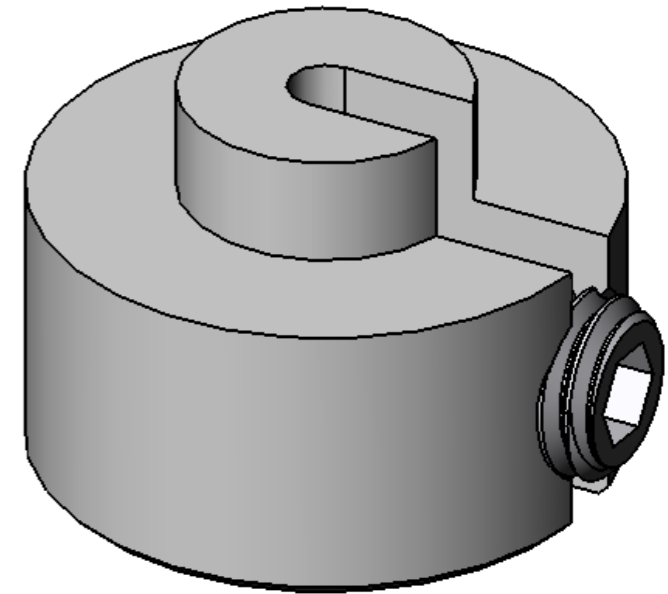
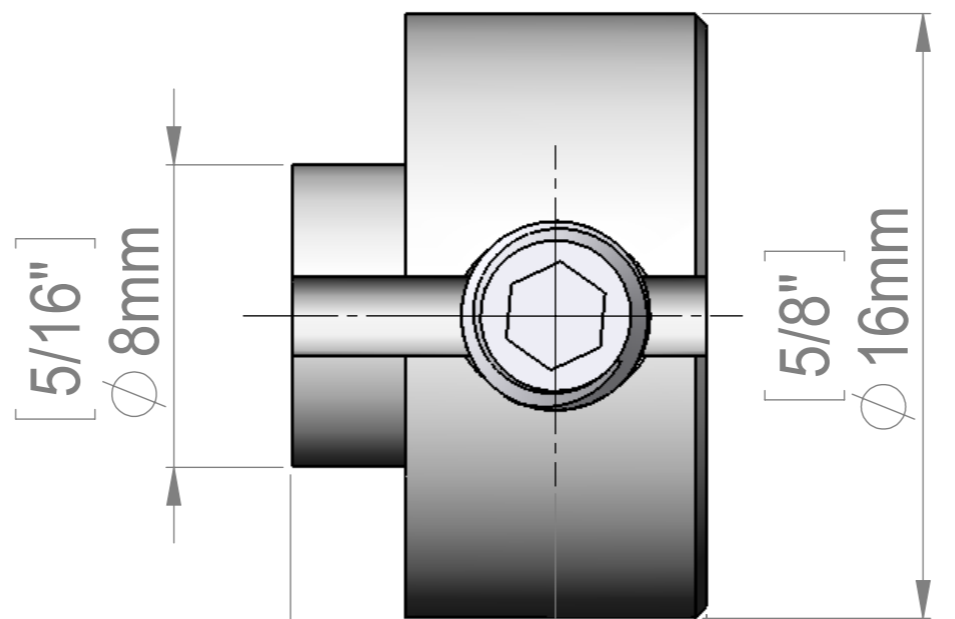
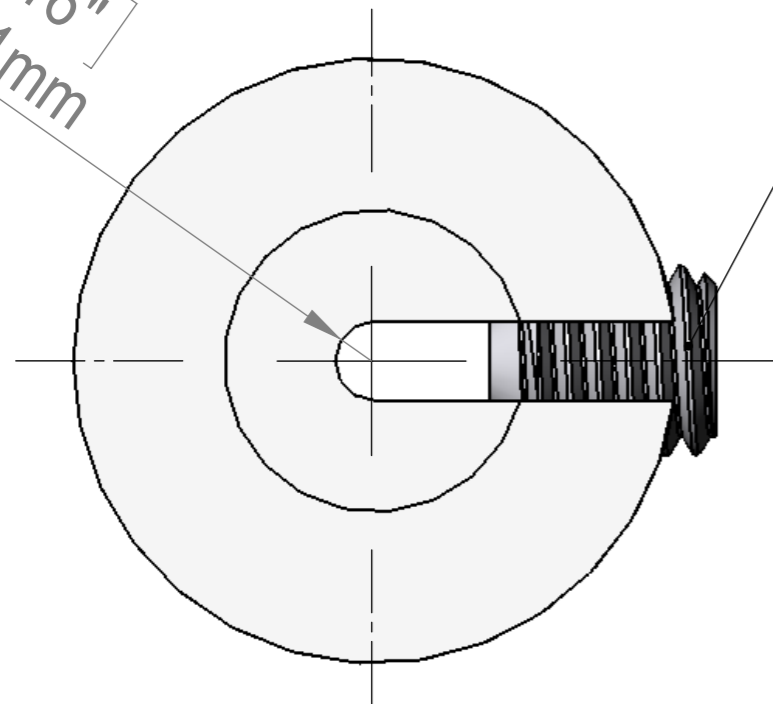


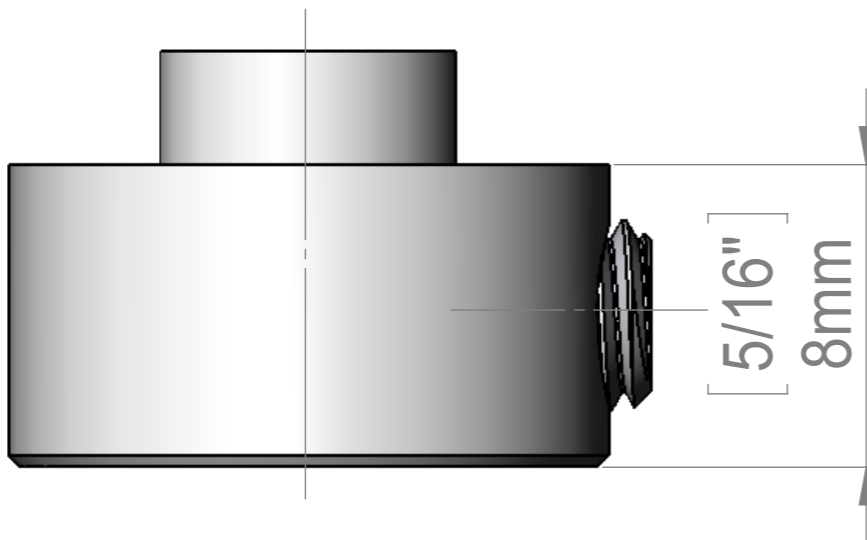
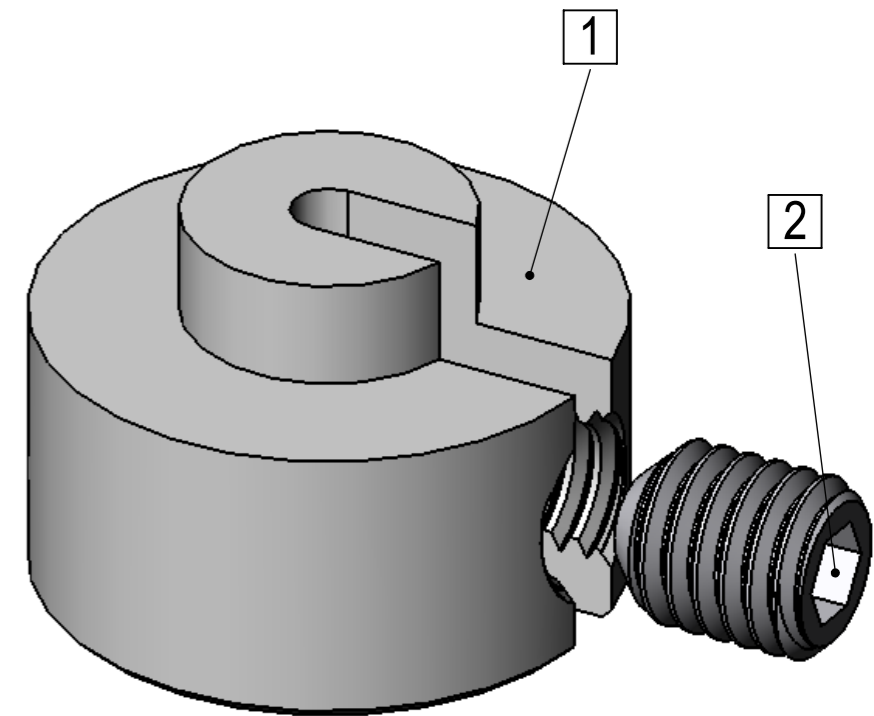
[1/16"]
R1.1mm

M5x6 f



[3/16"]
4mm

[7/16"]
11mm



ITEM NO.	PART NUMBER	DESCRIPTION	QTY.
1	CA1650A		1
2	M5x6 f		1

Title : CA1650		Scale : 5:1	
		Customer:	
Material:		Finish	
N°programme laser		N°prog. Mécanum.	
Qty :		Rep :	
N° Plan : CA1650			

