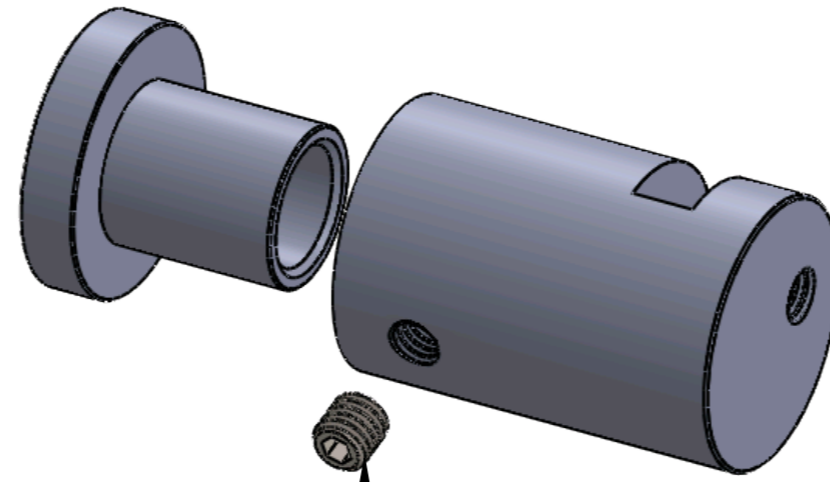


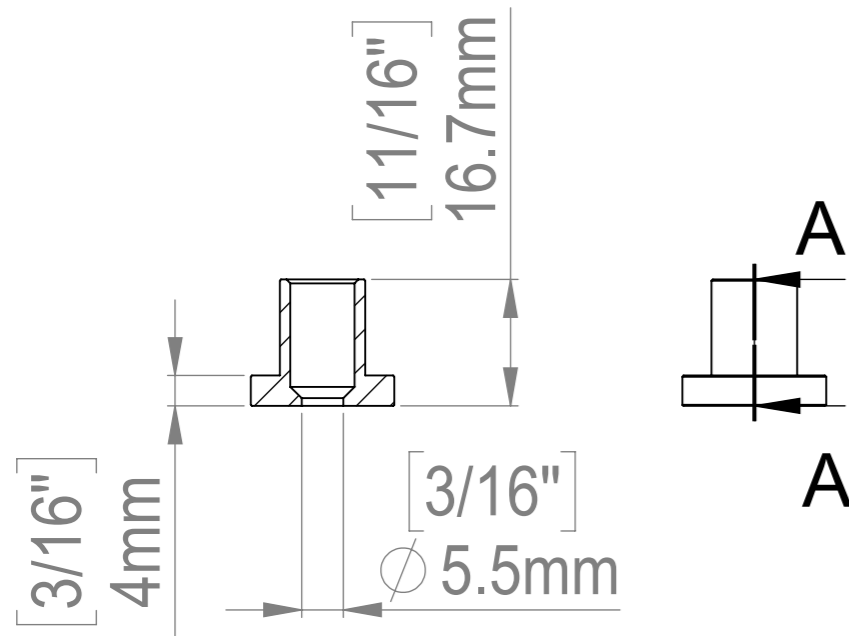
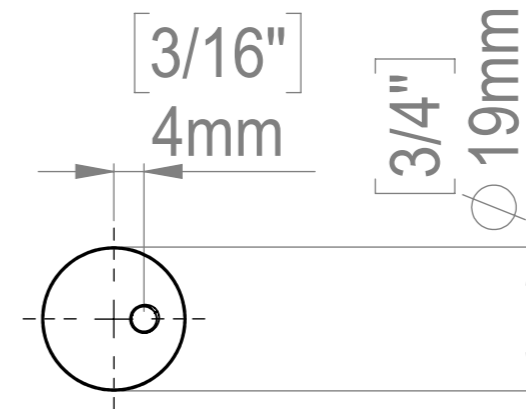
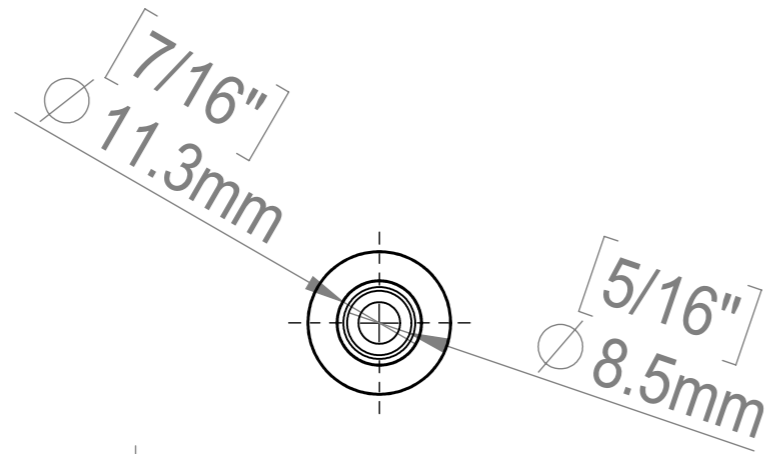
**PROPRIETARY AND CONFIDENTIAL**  
 THE INFORMATION CONTAINED IN THIS DRAWING IS THE SOLE PROPERTY OF <INSERT COMPANY NAME HERE>. ANY REPRODUCTION IN PART OR AS A WHOLE WITHOUT THE WRITTEN PERMISSION OF <INSERT COMPANY NAME HERE> IS PROHIBITED.

		DIMENSIONS ARE IN INCHES TOLERANCES: FRACTIONAL ± ANGULAR: MACH ± BEND ± TWO PLACE DECIMAL ± THREE PLACE DECIMAL ±		NAME	DATE
		MATERIAL		DRAWN	
		FINISH		CHECKED	
NEXT ASSY		USED ON		ENG APPR.	
APPLICATION		DO NOT SCALE DRAWING		MFG APPR.	
				Q.A.	
				COMMENTS:	
				SIZE <b>A</b>	DWG. NO. <b>AC8511</b>
				SCALE: 1:5	WEIGHT: SHEET 1 OF 1
					REV.

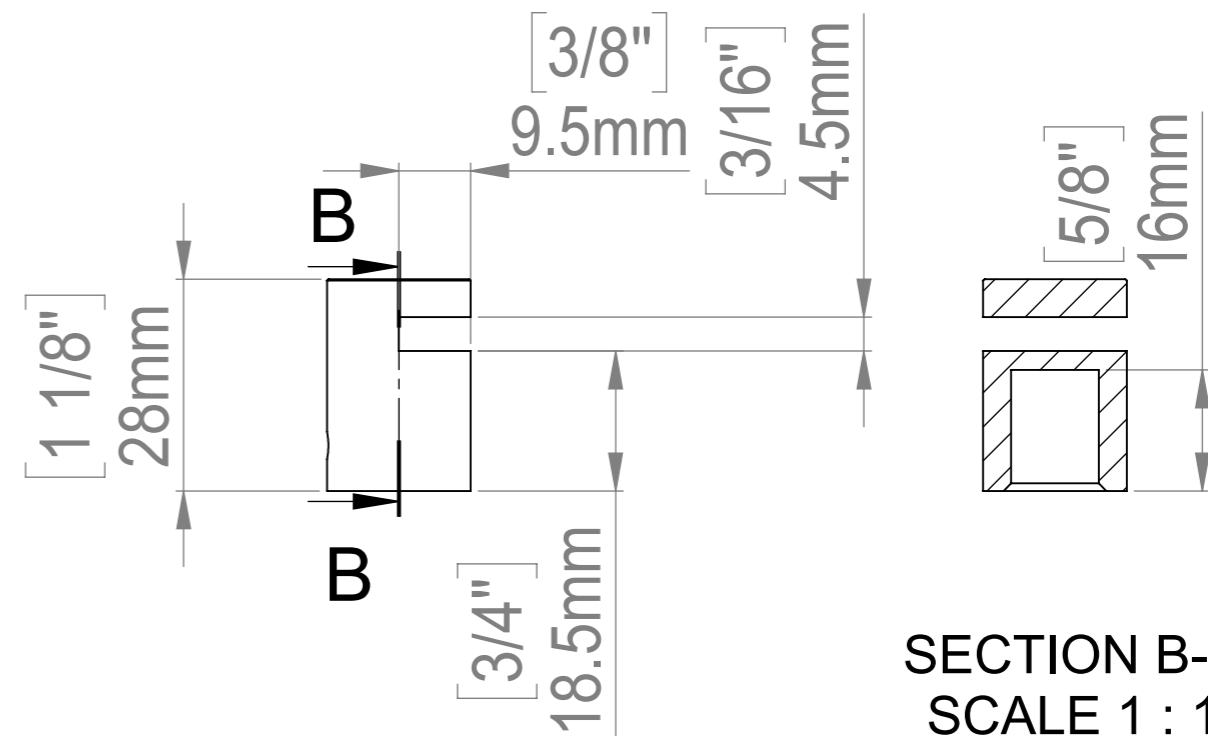


Set Screw M4 x 6 mm

Set Screw M4 x 4 mm



SECTION A-A  
SCALE 1 : 1



SECTION B-B  
SCALE 1 : 1

Title : ASA1922			Scale : 1:1	
			Sizes : Letter Landscape	Customer:
	Material:		Finish	Qty :
	N°programme laser		N°prog. Mécanum.	Rep :
			N° Plan : FAH30-70	