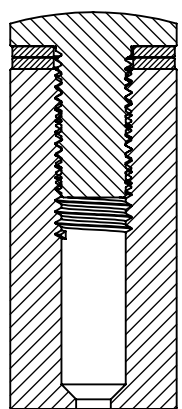
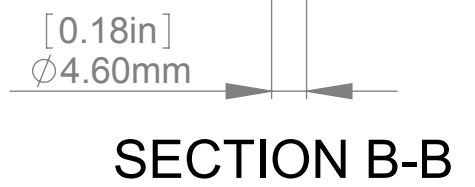
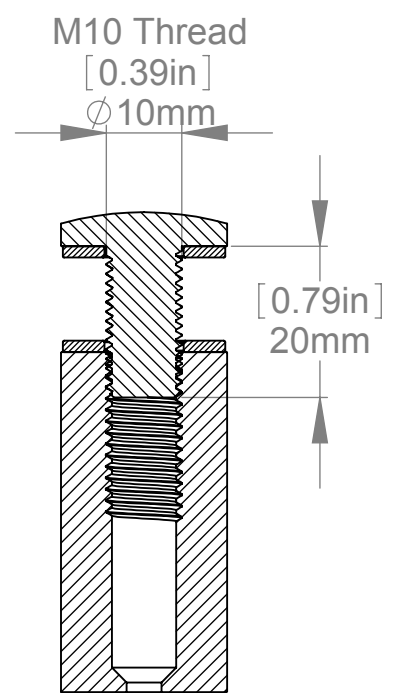
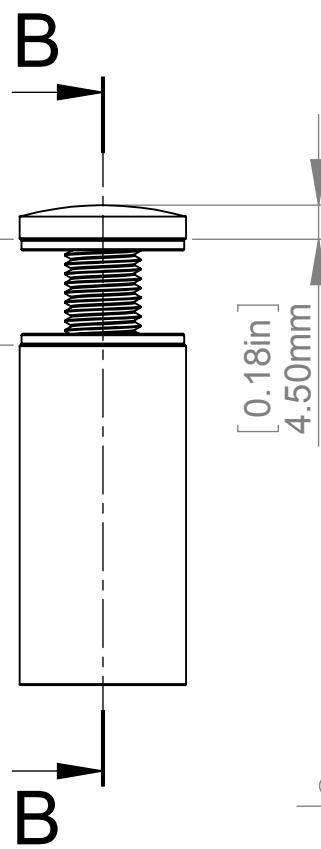


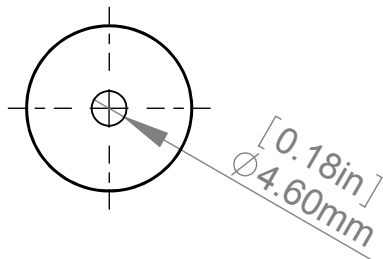
[0.55in] 14mm  
Maximum Thickness



SECTION A-A

[0.18in]  $\varnothing$ 4.60mm

No Minimum Thickness



Item	Qty.	Description
1	1	AL22-50 Body (22x45)
2	1	AL22 Head
3	2	AL22 Washer

Title : <b>AL22-50</b>		Scale : 1:1	
		Customer:	
Material:	Finish	Qty :	Rep :
N°programme laser	N°prog. Mécanum.	N° Plan : AL22-50	