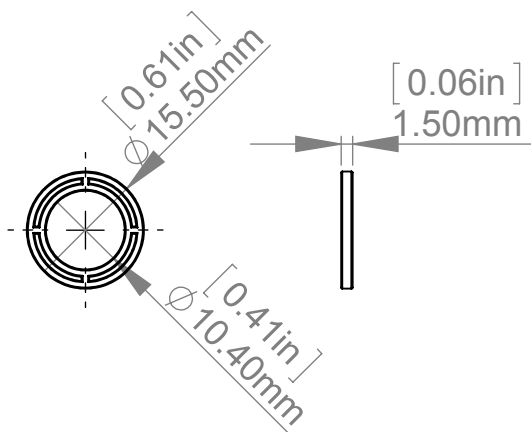


Silicon Washer



| Item | Qty. | Description                |
|------|------|----------------------------|
| [1]  | 1    | AL16-50 (M10) Body (16x45) |
| [2]  | 1    | AL16 (M10) Head            |
| [3]  | 2    | AL16 (M10) Washer          |

|                        |                  |                   |       |
|------------------------|------------------|-------------------|-------|
| Title : <b>AL16-50</b> |                  | Scale : 1:1       |       |
|                        |                  | Customer:         |       |
| Material:              | Finish           | Qty :             | Rep : |
| N°programme laser      | N°prog. Mécanum. | N° Plan : AL16-50 |       |