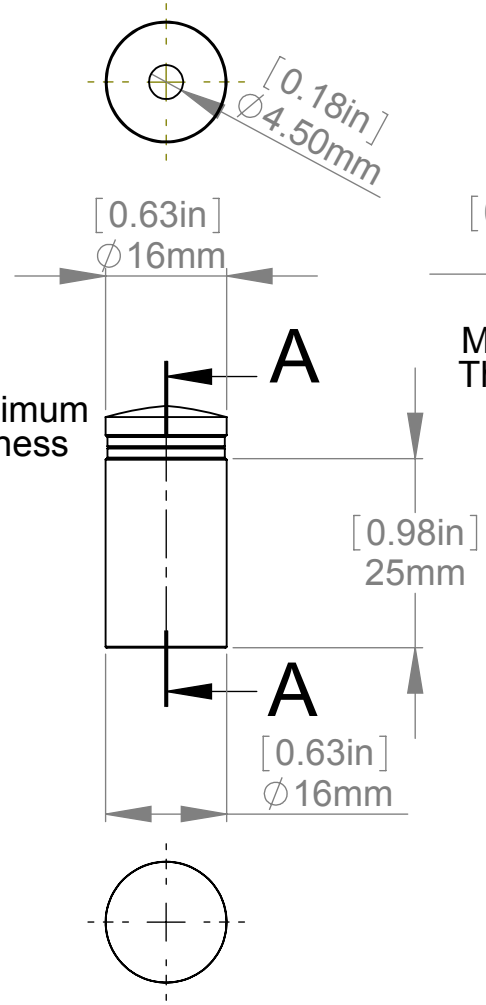


SECTION A-A

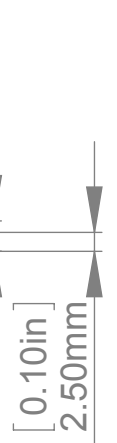


No Minimum Thickness

Maximum Thickness

B

B



SECTION B-B

M10 Thread  
[0.39in]  
Ø10mm

[0.79in]  
20mm

Item	Qty.	Description
1	1	AL16-25 (M10) Body (16x20)
2	1	AL16 (M10) Head
3	2	AL16 (M10) Washer

Title : <b>ALL16-30</b>		Scale : 1:1	
		Customer:	
Material:		Finish	
N°programme laser		N°prog. Mécanum.	
		Qty :	Rep :
N° Plan : AL16-30			

