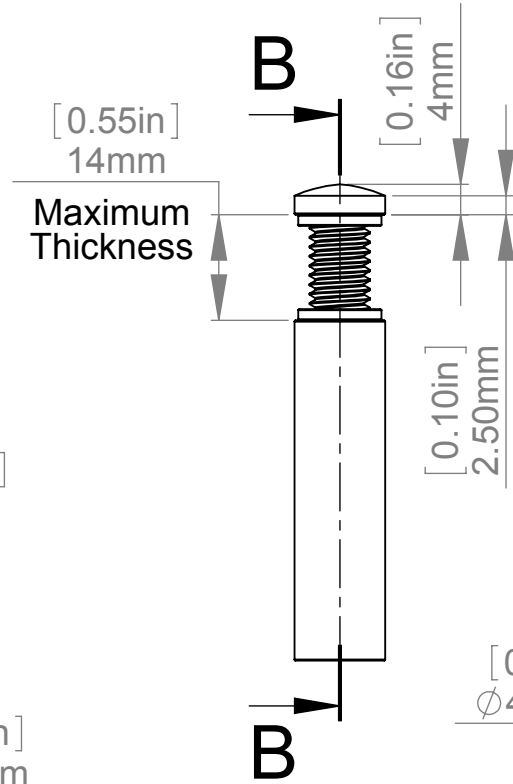
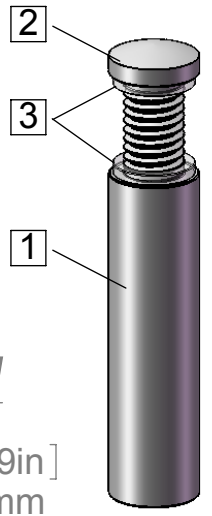


SECTION A-A



SECTION B-B

M8 Thread
[0.31in]
Ø8mm



Item	Qty.	Description
1	1	AL12-50 Body (12x45)
2	1	AL12 Head
3	2	AL12 Washer

Title : AL12-50		Scale : 1:1	
		Customer:	
Material:		Finish	
N°programme laser		N°prog. Mécanum.	
		Qty :	Rep :
		N° Plan : AL12-50	