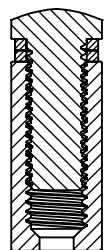


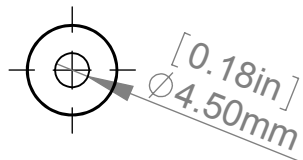
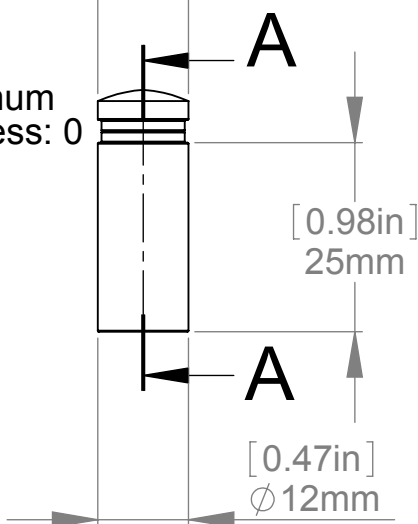
[0.47in]
Ø 12mm

Minimum
Thickness: 0

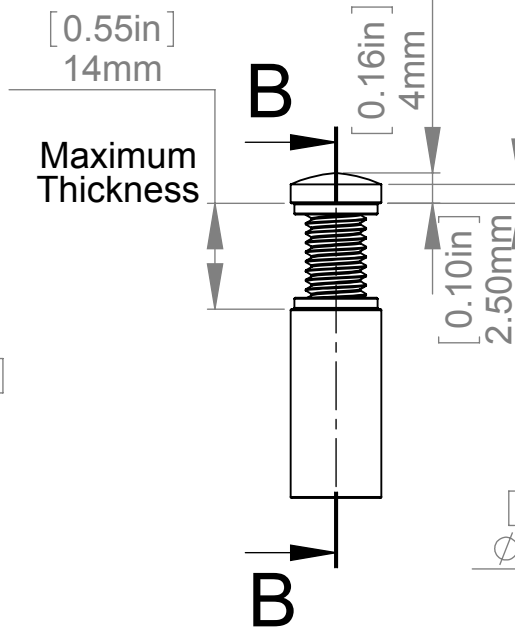
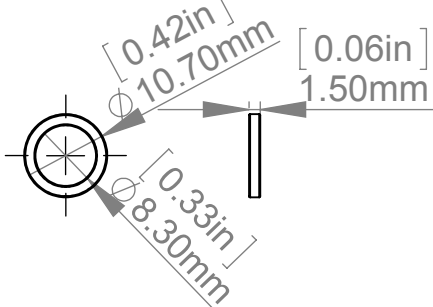


[0.18in]
Ø 4.50mm

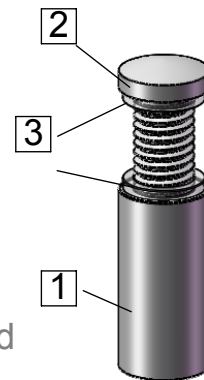
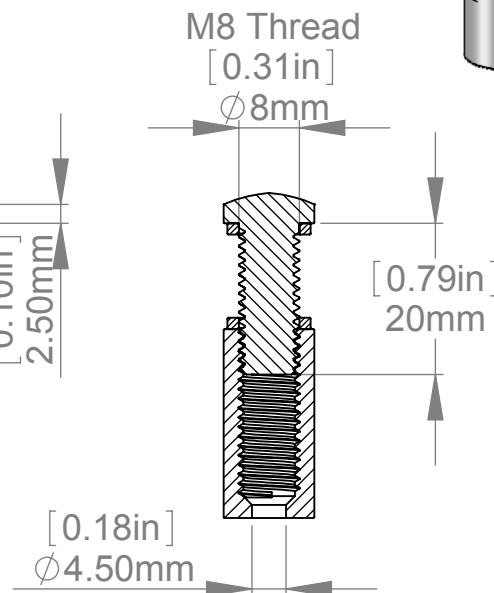
SECTION A-A



Silicone Washer

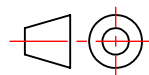


SECTION B-B



Item	Qty.	Description
1	1	AL12-25 Body (12x20)
2	1	AL12 Head
3	2	SBL12 Washer

Title : **AL12-30**



Scale : 1:1

Sizes : Letter Landscape

Customer:

Material:

Finish

Qty :

Rep :

N°programme laser

N°prog. Mécanum.

N° Plan : AL12-30