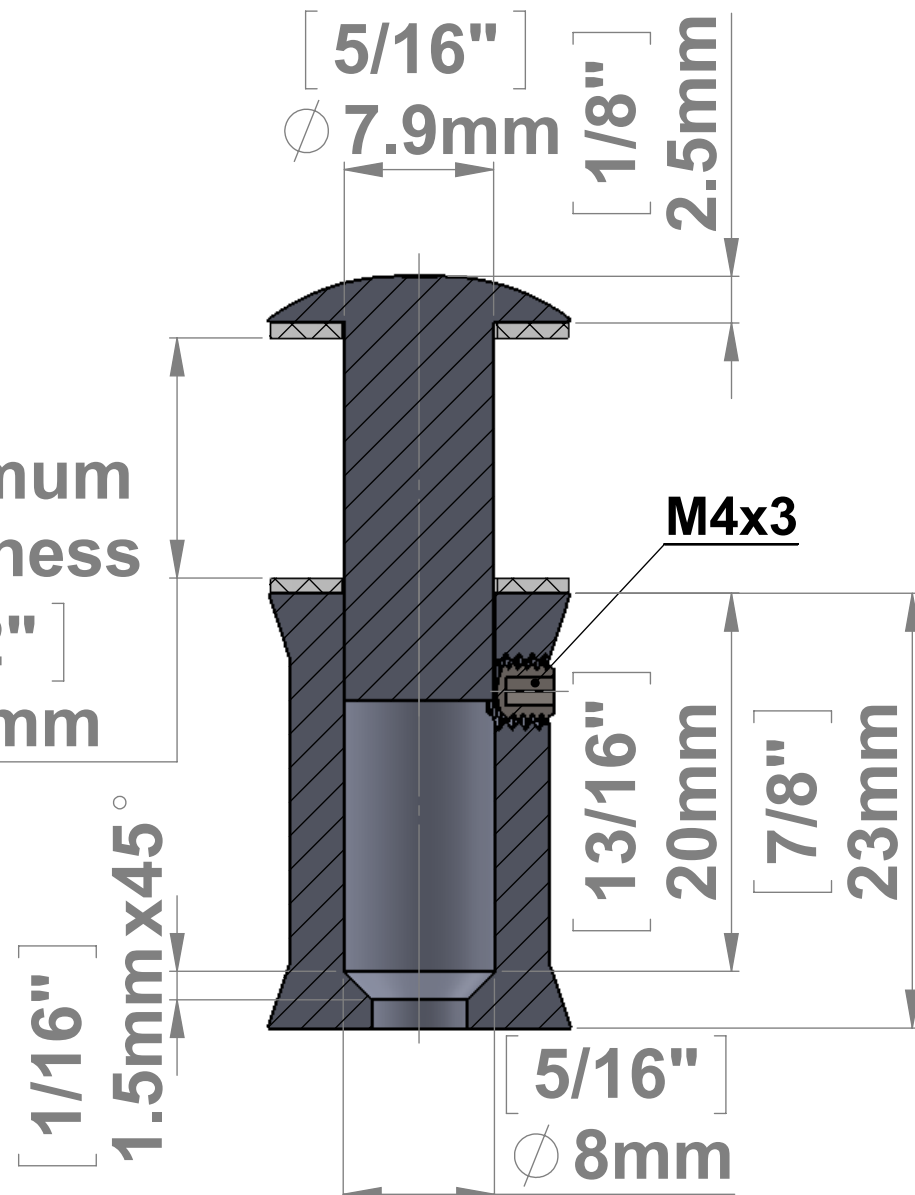
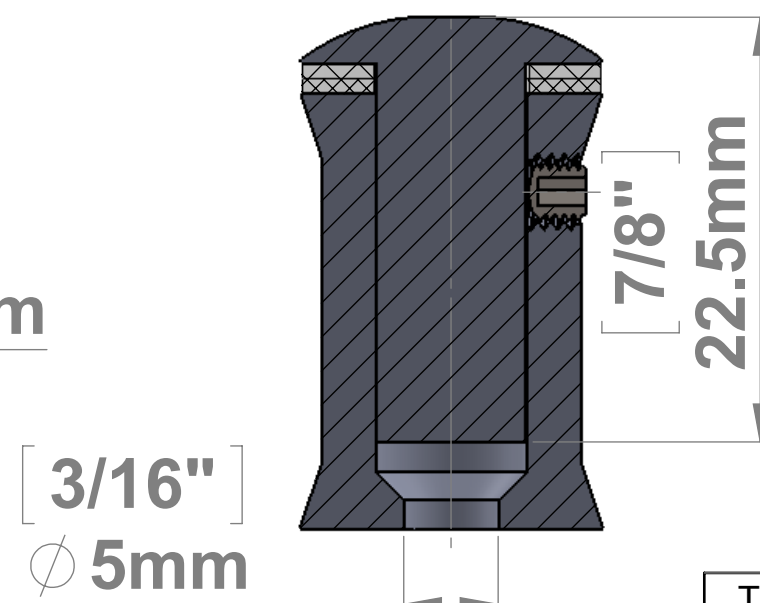


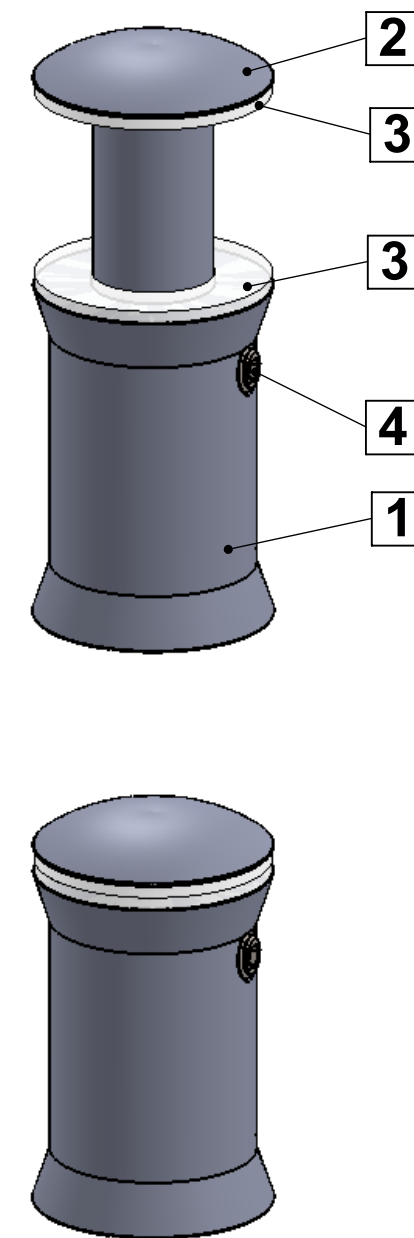
Maximum Thickness
1/2" 12.7mm



SECTION A-A
SCALE 2.5 : 1



SECTION B-B
SCALE 2.5 : 1



ITEM NO.	PART NUMBER	DESCRIPTION	QTY.
1	1323_Body		1
2	1323_Head		1
3	1323_Nylon Washer		2
4	Set Screw M4x3		1

Title : 1623			Scale : 2:1	Customer:	
Material:			Sizes : Letter Landscape	Qty :	Rep :
N°programme laser		N°prog. Mécanum.	N° Plan : 1623		