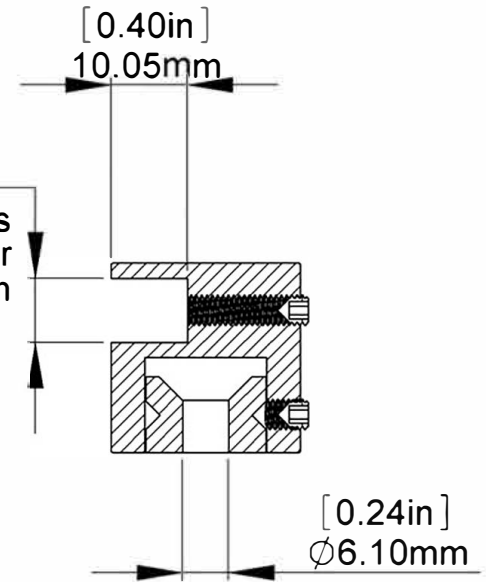
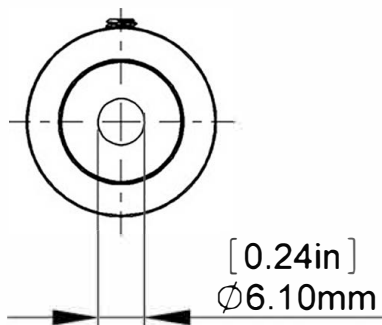


[0.33in] 8.50mm
Glass Thickness
2 x 4mm or
1 x 8mm



SECTION A-A



Item	Qty.	Description
[1]	1	105.025 Body
[2]	1	105.025 Support
[3]	2	M4x4mm Set Screw

Title : **105.025**



Scale : 1:1

Sizes : Letter Portrait

Customer:

Material:

Finish

Qty :

Rep :

N°programme laser

N°prog. Mécanum.

N° Plan : 105.025